



Introducing the WM 560, a compact and efficient solution designed to address the unique challenges of sound distribution in spaces without false ceilings, such as staircases and corridors. This 6W Surface Mounted Wall Loudspeaker is engineered for installations that demand simplicity, sleek design, and clear sound reproduction. The WM 560 embodies a minimalist approach, providing a smaller version of traditional loudspeakers without compromising on sound quality.

Its simple, sleek design ensures that it not only delivers excellent audio performance but also integrates seamlessly into any environment, enhancing the aesthetic without the clutter of conventional speakers. The WM 560 Surface Mounted Wall Loudspeaker is an embodiment of modern audio engineering, offering a perfect blend of form and function. Ideal for enhancing the audio experience in less conventional spaces, this speaker delivers on the promise of clear, reliable sound while maintaining a low profile, making it an excellent addition to any audio setup.

- **Compact and Sleek Design:** The WM 560's small footprint and unobtrusive design make it an ideal choice for spaces where aesthetics are as important as audio clarity.
- **Efficient Sound Projection:** Designed to deliver clear and concise sound, it's perfect for background music and announcements, ensuring messages are heard in stairwells, corridors, and other similar areas.
- **Easy Installation:** This speaker's surface-mounted design allows for straightforward installation, making it an excellent option for areas where cutting into the wall or ceiling isn't possible or desired.
- **Durable Construction:** The use of high-quality materials in its construction ensures the WM 560 is not only visually appealing but also durable and reliable over time.

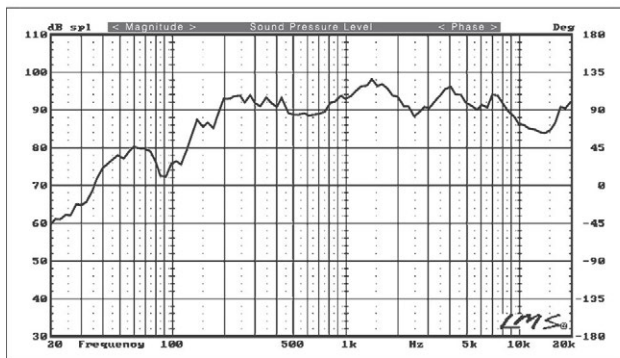


WM 560

Technical Specification

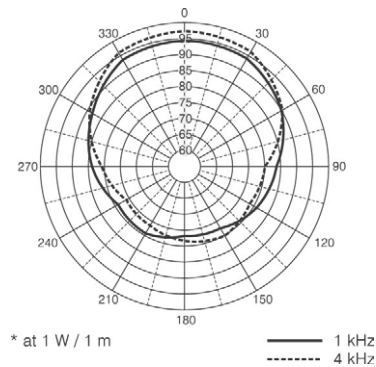
	WM 560
Product Description	Surface Mounted Wall Loudspeaker
Rated Input	100 V : 6 W (6W - 3W)
Impedance	1.667kΩ / 3.33 kΩ
Maximum Power	9 W
Frequency Response	105Hz - 16KHz
Sensitivity 1W @ 1m	90±1dB
Coverage Angle (1kHz, -6dB)	90°
Speaker Component	Woofer: 103mm
Safety	IEC-62368-1:2018
Material & Finish	Enclosure: PP
Dimensions	179 x 145 x 73mm
Weight	365 gram

Frequency Response



*at 1 W / 1 m

SPL Polar Plot



* at 1 W / 1 m

 — 1 kHz
 - - - 4 kHz
