



The CX 631 speaker range is specially developed to address the growing needs of the Audio-visual (AV) and Background Music (BGM) industry, especially in the hotels, malls, conference rooms, lecture halls, auditoriums, museums, galleries, restaurants and bars application.

Many AV and BGM industry installers require different types of speaker system depending on the project requirement. Our CX 631 speaker solutions bring you this flexibility, to mix and match any of speaker system solution depending on the needs of your installation with the assurance of the highest audio reproduction quality.

The CX 631 Series 30W Coaxial Ceiling Loudspeakers are well sought-after in installations that require good musical quality reproduction with a wide dispersion coverage angle. It can produce a wide audio bandwidth due to its individually dedicated transducers for the high & low frequencies. The CX 631 is meant for discreet installations with its slim profile grille & fine metal mesh making the unit blend into its surroundings seamlessly.

- 230 mm circular pure white ABS grille, utilizing a 160 mm 2-way coaxial loudspeaker driver unit, suitable for applications requiring high music quality output and wide area coverage.
- Clamp mounted installation to eliminate visible mounting screws.
- Ready fitted line matching transformer with multiple impedance tapings, suitable for 70 V and 100 V distributed speaker systems.
- Suitable for Public Address (PA) and Background Music (BGM) system application.



CX 631

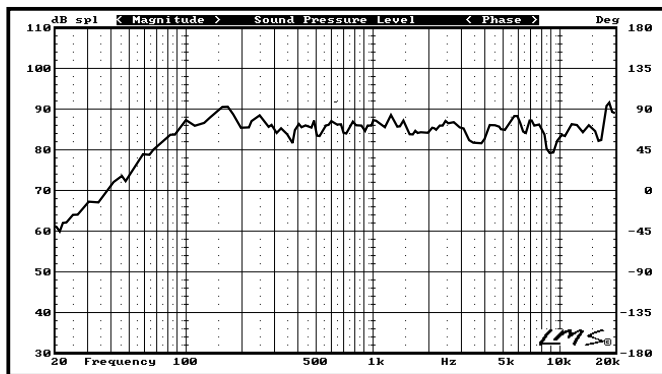


CX 631E

Technical Specification

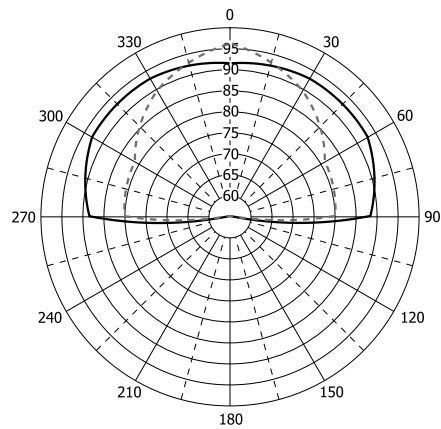
	CX 631	CX 631E
Rated Input	100V : (30 - 15 - 7.5 W) 70V : (15 - 7.5 - 3.8 W)	100V : (30 - 15 - 7.5 W) 70V : (15 - 7.5 - 3.8 W)
Rated Impedance	330Ω (330 - 670 - 1330 Ω)	330Ω (330 - 670 - 1330 Ω)
Maximum Power	45W	45W
Frequency Response	40 Hz ~ 20 kHz	50 Hz ~ 20 kHz
Sensitivity 1W @ 1m	92 / 107 dB	92 / 107 dB
Coverage Angle (1kHz, -6dB)	130 °	130 °
Speaker Component	160 mm 2-Way Coaxial Loudspeaker	105 mm 2-Way Coaxial Loudspeaker
Safety	Acc. to EN 60065	Acc. to EN 60065
Material & Finish	Frame: ABS, white Grille: Treated Steel Mesh, white	Frame: ABS, white Grille: Treated Steel Mesh, white Enclosure: Steel
Dimensions	Dia. 230 x 75 mm	Dia. 260 x 178 mm
Weight	1 kg	2 kg

Frequency Response



— CX 631 / CX 631E * at 1W / 1m

SPL Polar Plot



* at 1W / 1m — 1 kHz - - - 4 kHz

