



The use of ordinary PA loudspeakers in places with high ambient noise, such as basement car parks, open-air theme parks, or in rooms with heavy machinery, proves to be insufficient to cut through the severe acoustic conditions to convey the message effectively to the listener. The RH Series ABS paging horn loudspeakers provide an excellent solution for speech reproduction and sound distribution in such conditions. Constructed from high-impact ABS, the units are strong yet lightweight and resistant to harsh environmental outdoor conditions. They are dust and

water protected to IP65 (in accordance with IEC 529). The RH Series is ideal for both indoor and outdoor applications in harsh environments. Available in two different models, these models are transformerized for 100 V / 70 V line distributed loudspeaker systems and come with a swivel mounting bracket for easy positioning adjustment.

- Compact paging horn loudspeaker, excellent for speech intelligibility and capable of producing high sound pressure levels, suitable for places with high ambient noise and long throw applications.
- Corrosion-free high impact ABS material and robust construction which is dust and water protected to IP65, comes equipped with a swivel mounting bracket and a 100 V / 70 V line matching transformer.
- Easy selectable power tapplings via a multi-core cable.
- Frequency response of unit designed to emphasise on the vocal range for optimum speech intelligibility.



RH 082

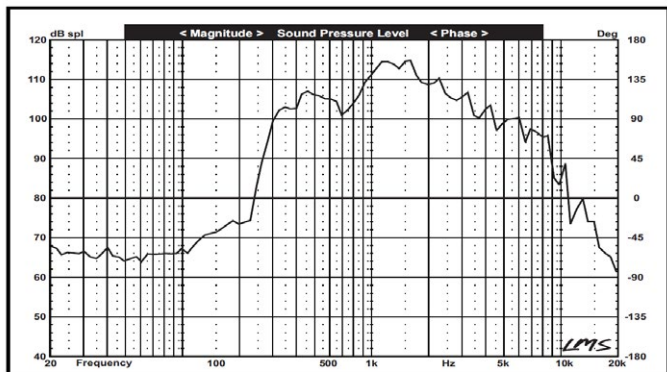
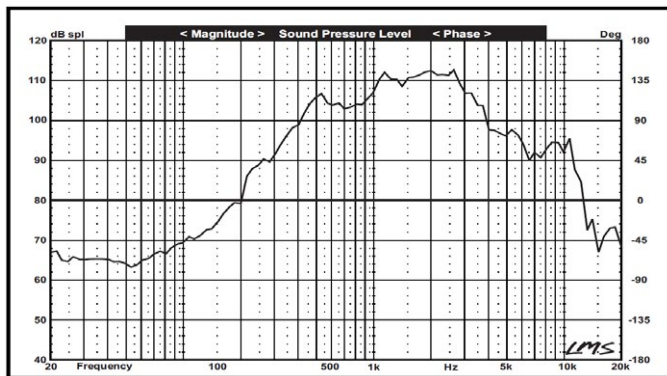


RH 113

Technical Specification

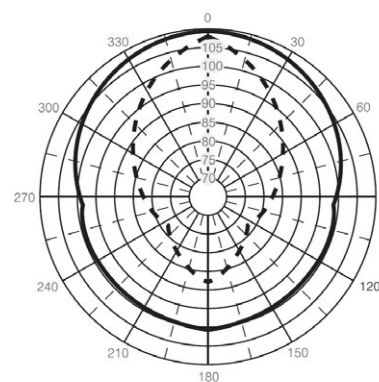
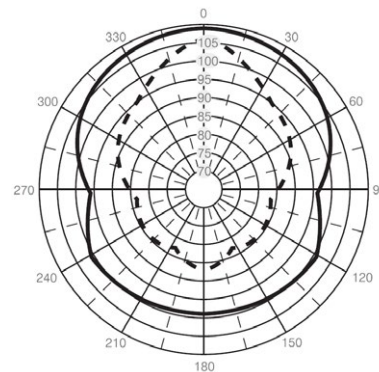
	<b>RH 082</b>	<b>RH 113</b>
<b>Rated Input</b>	100 V : 20 W (20 - 10 - 5 W) 70 V : 10 W (10 - 5 - 2.5 W)	100 V : 30 W (30 - 15 - 7.5 W) 70 V : 15 W (15 - 7.5 - 3.8 W)
<b>Rated Impedance</b>	500 Ω (500 - 1k - 2k Ω)	330 Ω (330 - 667 - 1.3k Ω)
<b>Maximum Power</b>	30 W	45 W
<b>Frequency Response</b>	250 Hz - 12.5 kHz	250 Hz - 10 kHz
<b>Sensitivity 1W @ 1m</b>	113/125 dB	115/130 dB
<b>Coverage Angle (1kHz, -6dB)</b>	165°	160°
<b>Safety</b>	Acc. to EN 60065	Acc. to EN 60065
<b>Operating Temperature</b>	-25 °C to 55 °C	-25 °C to 55 °C
<b>Dust &amp; Water Protection</b>	IP65 (acc. to IEC 529)	IP65 (acc. to IEC 529)
<b>Material &amp; Finish</b>	Horn flare: ABS, white Reflector horn: ABS, white Bracket: Aluminium, white Screw/Bolt: Stainless steel	Horn flare: ABS, white Reflector horn: ABS, white Bracket: Aluminium, white Screw/Bolt: Stainless steel
<b>Dimensions</b>	Dia. 220 x 160mm	Dia. 285 x 205mm
<b>Weight</b>	1.48 kg	1.86 kg

Frequency Response



\* at 1W / 1m

SPL Polar Plot



— 1 kHz  
 - - - - - 4 kHz