



The H series speaker range is specially developed to address the growing needs of the Audio-visual (AV) and Background Music (BGM) industry, especially in the hotels, conference rooms, lecture halls, auditoriums, museums, galleries, restaurants and bars application.

Many AV and BGM industry installers require different types of speaker system depending on the project requirement. Our H series speaker solutions bring you this flexibility to mix and match any speaker system solution depending on the needs of your installation with the assurance of the highest audio reproduction quality.

The HC 851 Series Coaxial Ceiling Loudspeakers are well sought-after in installations that require good musical quality reproduction for its ability to produce a wide audio bandwidth due to its individually dedicated transducers for the high & low frequencies. Meant for discreet installations its slim profile grille & fine metal mesh makes the unit blend into its surroundings seamlessly.

- 275 mm circular pure white ABS grille, utilizing a 275 mm two way coaxial loudspeaker driver unit, suitable for applications requiring high efficiency and music quality output.
- Clamp mounted installation to eliminate visible mounting screws.
- Ready fitted line matching transformer with multiple impedance tapings, suitable for 70 V and 100 V distributed speaker systems.
- Steel back enclosure (HC 851E) padded with acoustic damping material reduces echoing and enhances speech intelligibility.



HC 851

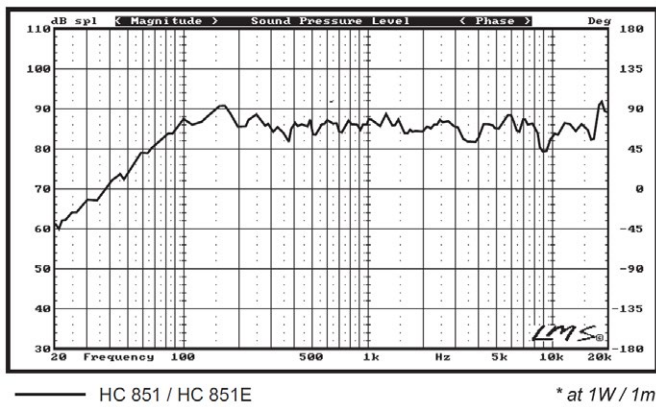


HC 851E

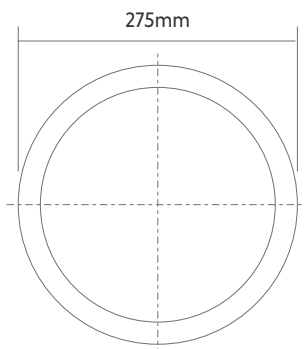
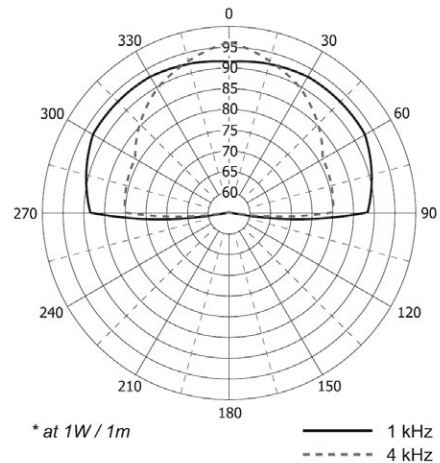
## Technical Specification

	HC 851	HC 851E
<b>Rated Input</b>	100 V : 50 W (50 - 25 - 12.5 - 6.25 W)/8 Ω 70 V : 25 W (25 - 12.5 - 6.25 - 3.2 W)/8 Ω	100 V : 50 W (50 - 25 - 12.5 - 6.25 W)/8 Ω 70 V : 25 W (25 - 12.5 - 6.25 - 3.2 W)/8 Ω
<b>Rated Impedance</b>	200 Ω (200 - 400 - 800 - 1200 Ω)	200 Ω (200 - 400 - 800 - 1200 Ω)
<b>Maximum Power</b>	50 W	50 W
<b>Frequency Response</b>	55 Hz - 20kHz	55 Hz - 20kHz
<b>Sensitivity 1W @ 1m</b>	94 / 106 dB	94 / 106 dB
<b>Coverage Angle (1kHz, -6dB)</b>	120 °	120 °
<b>Speaker Component</b>	275 mm 2-Way Coaxial Loudspeaker	275 mm 2-Way Coaxial Loudspeaker
<b>Safety</b>	Acc. to EN 60065	Acc. to EN 60065
<b>Material &amp; Finish</b>	Frame: ABS Grille: Treated Steel Mesh	Frame: ABS Grille: Treated Steel Mesh Enclosure: Steel
<b>Dimensions</b>	Dia. 275 x 105 mm	Dia. 275 x 175 mm
<b>Weight</b>	2 kg	3 kg

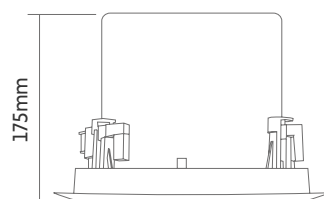
## Frequency Response



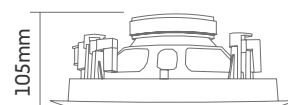
## SPL Polar Plot



HC 851/HC 851E



HC 851E



HC 851