



The PS 06 Power Supply Unit provides regulated 24 Vdc power supply up to a maximum of 6 amperes. Utilizing solid state technology it features protection against short circuit and overloading.

There is a provision in the PS 06 to allow for connection to an array of batteries for backup power supply, in the event of AC power failure, the battery power automatically switches to supply the equipments connected to the power supply unit.

- Regulated 24 Vdc power supply up to a maximum of 6 amperes.
- Solid state protection against short circuit and overloading.
- Supports external backup power source of 24 Vdc which automatically switches over to the load during AC power failure.
- LED status indicators provide easy visual monitoring.

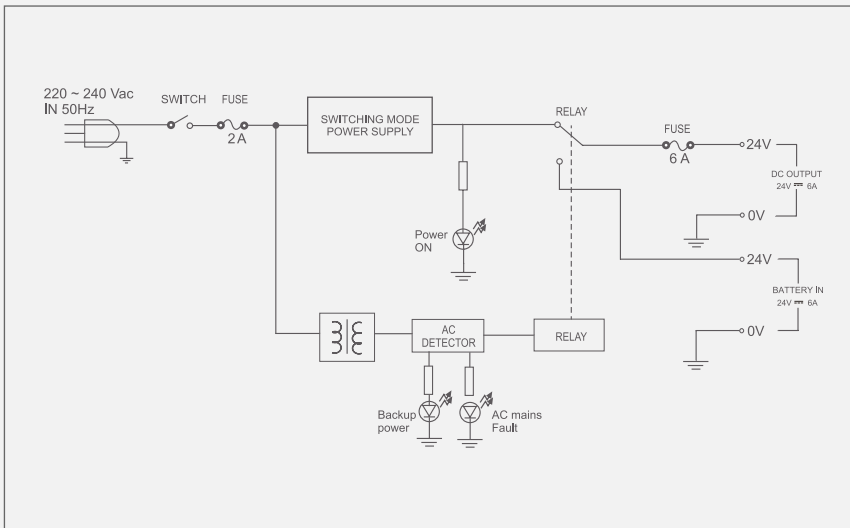


PS 06

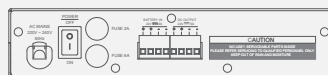
Technical Specification

PS 06	
Input	220 ~ 240 Vac; 50 Hz 24 Vdc Battery Backup
Output	24 Vdc (Regulated), 6A (Fuse : 2A,6A)
Regulation	+/- 0.5 Vdc, 0.1 V ripple max.
Protection	Solid state & fast blow glass tube fuse DC Fuse Rating : 6A, Short AC Fuse Rating : 2A, Short
Indicators	AC mains fault ~ Red LED Power ON ~ Green LED Backup Power ~ Green LED
Material & Finish	Mild Steel; Black
Dimensions	215 x 44 x 150 mm (W x H x D)
Weight	1.4 kg

Block Diagram

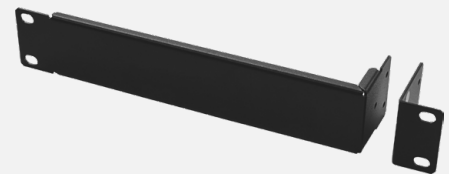


FRONT



REAR

Accessories



PS 05MB

Consisting of 2 ear pieces and mounting screws, the PS 05MB is used for front mounting a single unit PS 06 to a 19" EIA standard equipment rack.



PS 06MB

Consisting of 2 ear pieces, attaching plate and mounting screws, the PS 06 MB is used for front mounting two units of PS 06 to a 19" EIA standard rack.

Engineers' Specification

The power supply unit shall provide an output of 24 Vdc regulated supply up to 6 amperes maximum. The unit shall be able to withstand any short circuit or overloading without causing damage to the unit. Input terminals shall be provided for external backup power source (ie. battery array) of 24 Vdc and shall automatically switch over the load connected to the unit during mains power failure. LED status indicators shall be provided for

NORMAL AC operation, fault indicating SHORT CIRCUIT and BATTERY input to enable visual monitoring. The dimensions of the unit shall not exceed 215 x 44 x 150 mm (W x H x D) and weight not exceeding 1.4 kg.