



Protecting Your Human Assets During Emergency

## DS 201-S Digital Source Player



The DS 201-S Digital Source Player is a dual purpose player capable of providing pre-stored MP3 messages as well as serving as a Background Music (BGM) source for any Public Address (PA) System application.

The DS 201-S utilizes an SD Card as its primary storage and also monitors the availability of the SD Card for faults. The unit allows 12 MP3 messages to be pre-stored and the messages can be selected to play via the front panel message selector button or via dry contact from the rear terminal connector.

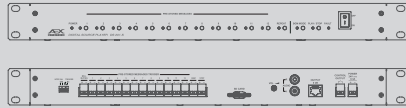
The unit features a Background Music (BGM) mode which when triggered allows the user to play all the pre-stored music files in the SD Card. The unit is suitable for applications in factory environments where its easily accessible messages can be triggered to signify end/start of shifts, in shopping malls and hotel environment where it can serve as a BGM source with thousands of music files to enhance the ambient environment.

The DS 201-S can also be integrated with the fire alarm panel, providing automatic evacuation or warning messages in the event of an emergency.

- Multipurpose unit performing playback of CD quality Background Music (BGM) and pre-stored messages.
- Utilizes SD Card and supports High Capacity (SDHC) SD Card for increased capacity for storage.
- User friendly front panel for message selection and playback.
- Unit able to be remotely triggered via the rear terminal block for message selection or BGM mode activation.
- Unit able to be integrated to Fire Alarm panel interface via dry contact for automatic evacuation/warning message activation.
- SD Card slot monitored for card availability.
- Built-in Fire Alarm Bell silencer feature allows the unit to periodically mute the fire alarm bell in order for the evacuation announcement to be more audible.
- Both Stereo (L/R) and 0dB Balanced audio output available via the rear panel.



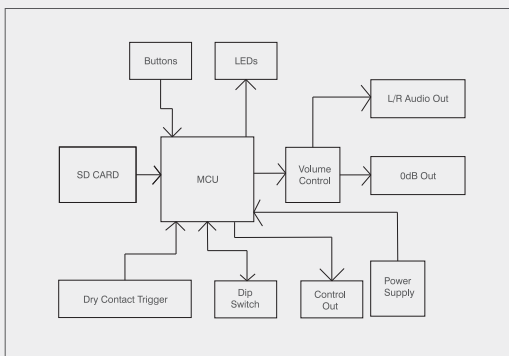
**DS 201-S** Digital Source Player



### Technical Specifications

| DS 201-S               |   |
|------------------------|---|
| Output Channels        | 1nos. Stereo Output (RCA Connector)<br>1nos. 0dB Balanced Output (RJ 45)  |
| Storage Medium         | SD Card (Supports SDHC Card)  |
| Control Input          | 14 Control Inputs (12-Message select, BGM Play, Stop)   |
| Control Output         | 1nos. Message in progress Control Output Dry Contact (Max. current handling 24Vdc, 3A)<br>1nos. Bell Muting Control Opto-Coupler Control output |
| Frequency Response     | 20 Hz ~ 20 kHz  |
| Power Requirement      | External source of 24 Vdc (Regulated), 0.3A   |
| Dimensions (W x H x D) | 483 x 44 x 150 mm   |
| Material and Finish    | Mild Steel; Epoxy Powder Coated Textured Black  |
| Weight                 | 2.2 kg  |

### Block Diagram



### Engineers' Specifications

The DS 201-S Digital Source Player shall be a dual purpose player capable of playing pre-stored MP3 messages as well as playing music files as a Background Music (BGM) source. The player shall utilize an SD Card as its primary storage. The unit shall monitor the availability of the SD Card for faults. The unit shall allow minimally 12 MP3 messages to be pre-stored and the messages can be selected to play via the

front panel message selector button or remotely via the rear terminal connector. The unit shall feature an automatic bell muting function which provides dry contact to silence the external fire alarm bell in the event an evacuation message is in progress. The unit shall have a frequency response of 20 Hz to 20 kHz and provide both 0dB Balanced and Stereo output via the rear connectors.

