



The MP 2 & MC 3 desktop microphone have been designed adhering to a few essential design rules; simplicity, functionality and aesthetic.

The MC 3 features an ascending 4-tone chime to mark the beginning of an announcement and a descending 4-tone chime to mark the end of an announcement.

The Chime's volume can be adjusted via a potential meter at the base of the unit. Upon activation of the unit, a dry contact activation line is triggered for interfacing with external devices. The MC 3 has a balanced output of 0 dB suitable for long cable run. MC 3 operates off an external regulated power supply of 24 Vdc while the MP 2 does not require any power supply.

The MP 2 paging microphone features a unidirectional gooseneck condenser microphone with a balanced output of -60 dB. The unit is suitable for paging applications that do not require a chime.

Both the MC 3 and MP 2 microphones require phantom power to operate.

MC 3

- Unidirectional gooseneck condenser microphone.
- User adjustable chime volume.
- LED indicator for chime in progress and ready to talk status. A press-to-talk button is available for easy operation.
- 0 dB Balanced audio output makes it suitable for long cable runs.
- Phone Jack microphone socket output with screw terminal connector for trigger contact.

MP 2

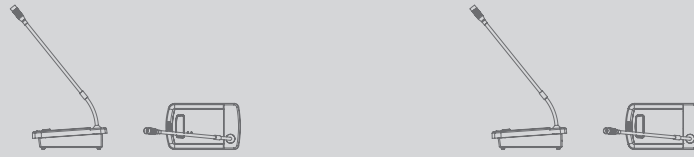
- Unidirectional gooseneck condenser microphone.
- A latching Talk button to activate microphone and also to trigger a dry contact output.
- Phone Jack microphone socket output with screw terminal connector for trigger contact.



MC 3
Chime Microphone



MP 2
Paging Microphone

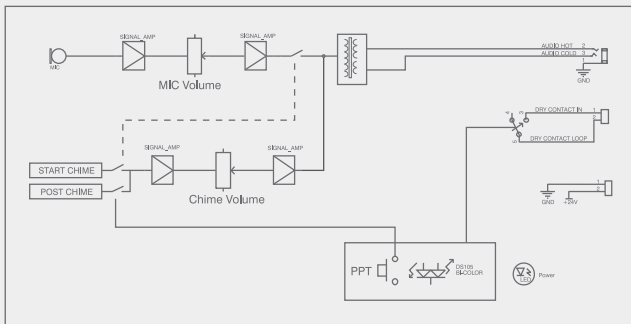


Technical Specifications

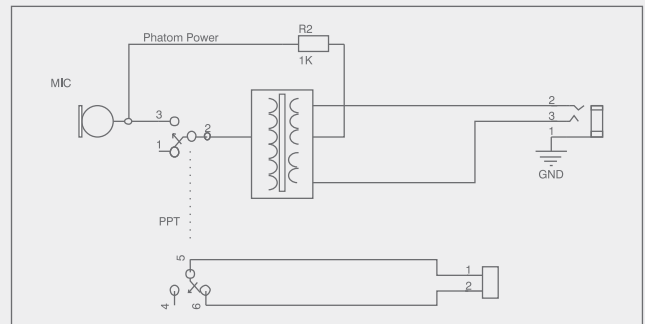
	MC 3	MP 2
Audio Signal Output	0 dB balanced	-60 dBV, 500 Ω balanced
Frequency Responses	100 Hz - 12 kHz	100 Hz - 12 kHz
Connector	Phone jack, Panel Feedthrough Connector	Phone jack, Panel Feedthrough Connector
Indicators	Chime in progress / Talk indicator	-
Control	Talk button	Talk button
Chime	Pre-announcement 4-tone ascending Post-announcement 4-tone descending	-
Material & Finish	ABS, Graphite Black	ABS, Graphite Black
Dimensions (WxHxD)	105 x 50 x 170 mm	105 x 50 x 170 mm
Weight	0.2 kg	0.1 kg

Block Diagram

MC 3



MP 2



Engineers' Specifications

MC 3

The Desktop Chime Microphone shall come with a non-detachable dynamic gooseneck microphone. The audio signal shall be 0 dB, Uniform frequency response of 100 Hz - 12 kHz. It shall emit a 4-tone chime (which can be bypassed if not required by the user) when the talk button is pressed. The unit shall have a bi-colour LED indicator to show the paging operation status; orange for CHIME in progress and GREEN for TALK ready. The chime volume shall be controllable at the base of the microphone stand. The unit shall operate off an external power supply of regulated 24 Vdc. The dimensions of the unit shall not exceed 105 x 50 x 170 mm (W x H x D) and weight not exceeding 0.2 kg.

MP 2

The Desktop Paging Microphone shall come with a non-detachable dynamic gooseneck microphone. The audio signal shall be -60 dBV, 500Ω balanced output and uniform frequency response of 100 Hz ~ 12 kHz. The dimensions of the unit shall not exceed 105 x 50 x 170 mm (W x H x D) and weight not exceeding 0.1 kg.

