

The WM 563 Surface Mounted Wall Loudspeaker is designed for a wide range of applications. The unit is ideally installed in areas without a false ceiling such as in stairwells and rooms with concrete ceiling.

Utilising a 120 mm dynamic full range loudspeaker component, the WM 563 provides excellent speech and music reproduction even under high ambient noise conditions. Its vented enclosure is designed to enhance the sound quality of the unit. The unit comes fitted with a fine metal mesh cover at the front baffle for improved aesthetics and better protection.

The WM 563 comes with a multiple tapping line-matching transformer, suitable for 70 V or 100 V line distributed speaker system. The loudspeaker can be mounted horizontally or vertically without visible mounting screws and also tilted for closer sound projection. The enclosure is designed for permanent installation to prevent unauthorised removal of the unit.

- 120 mm dynamic full range loudspeaker component, providing clear undistorted sound quality.
- Horizontal or vertical mounting and a tamper-proof mounting design which completely eliminates front visible mounting screws.
- Built-in audio line matching transformer with multiple impedance choice of 6.7 k Ω , 3.3 k Ω and 1.7 k Ω , suitable for both 70 V and 100 V line distributed speaker system.
- A low-profiled enclosure design with a fine metal mesh cover makes the unit aesthetically pleasing.

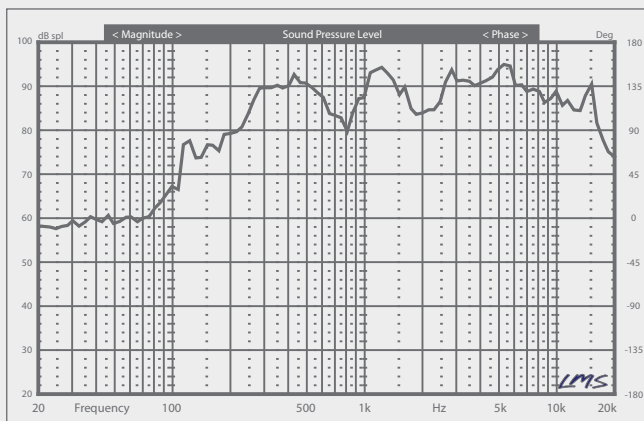
**WM 563**



Technical Specifications

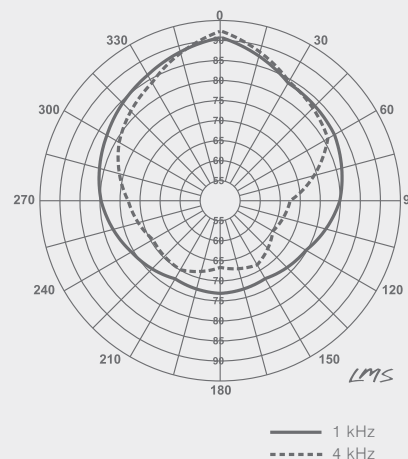
WM 563	
Rated Input	100V : 6 W (6 - 3 - 1.5 W) 70V : 3 W (3 - 1.5 - 0.75 W)
Maximum Power	9 W
Rated Impedance	1.7 kΩ (1.7 - 3.3 - 6.7 kΩ)
Sensitivity (1W / rated at 1 m)	90 / 98 dB
Coverage Angle (1 kHz, -6 dB)	70 deg
Frequency Response	180 Hz ~ 17 kHz
Speaker Component	120 mm Dynamic Full Range Loudspeaker
Safety	Acc. to EN 60065
Material & Finish	ABS, Pure White (RAL 9010)
Dimensions (W x H x D)	260 x 173 x 65 mm
Weight	0.8 kg

Frequency Response



*at 1W / 1m

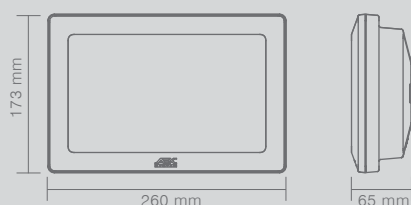
SPL Polar Plot

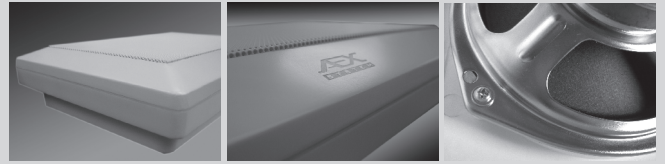


Engineers' Specifications

The surface mounted wall loudspeaker shall be fitted with a 120 mm dynamic full range loudspeaker driver and capable of handling up to a maximum power of 9 W rated at 100 V line input. It shall be able to produce a minimum SPL of 90 dB at 1 W/m (1 kHz) and a useable frequency range of 180 Hz ~ 17 kHz with a coverage angle of 70 deg.. An integrated line matching transformer shall be provided with multiple tapings of 6, 3 and 1.5W rated at 100V line.

The enclosure shall be low profile in design, not exceeding a depth of 65 mm, and constructed from ABS, finished in Pure White (RAL 9010). Mounting of the unit shall be free from visible front mounting screws. The dimensions of the unit shall not exceed 260 x 173 x 65 mm (WxHxD) and weight not exceeding 0.8 kg.





The WM 512 Surface Mounted Wall Loudspeaker is designed for a wide range of applications. The unit is ideally installed in areas without a false ceiling such as in stairwells and rooms with concrete ceiling.

Utilising a 120 mm dynamic full range loudspeaker component, the WM 512 provides excellent speech and music reproduction even under high ambient noise conditions. Its vented enclosure is designed to enhance the sound quality of the unit. The unit comes fitted with a fine metal mesh cover at the front baffle for improved aesthetics and better protection.

The WM 512 comes with a multiple tapping line-matching transformer, suitable for 70 V or 100 V line distributed speaker system. The loudspeaker can be mounted horizontally or vertically without visible mounting screws and also tilted for closer sound projection. The enclosure is designed for permanent installation to prevent unauthorised removal of the unit.

- 120 mm dynamic full range loudspeaker component, providing clear undistorted sound quality.
- Horizontal or vertical mounting and a tamper-proof mounting design which completely eliminates front visible mounting screws.
- Built-in audio line matching transformer with multiple impedance choice of (3.3 k Ω , 1.7 k Ω and 0.83k Ω), suitable for both 70 V and 100 V line distributed speaker system.
- A low-profiled enclosure design with a fine metal mesh cover makes the unit aesthetically pleasing.

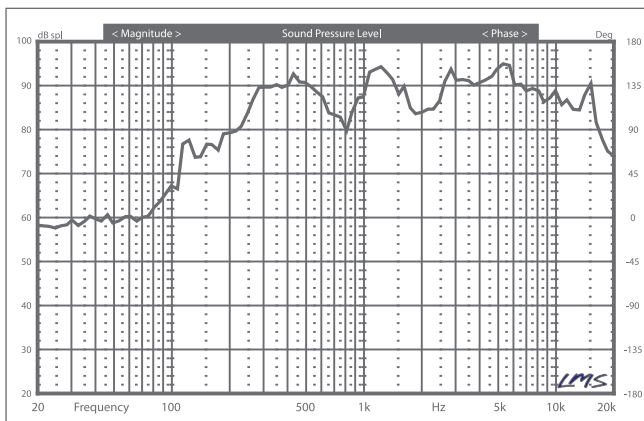
**WM 512**



Technical Specifications

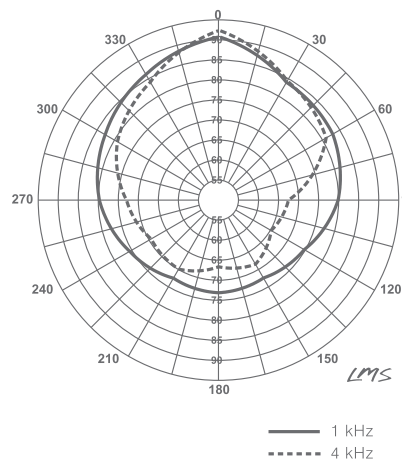
WM 512	
Rated Input	100V : 12 W (12 - 6 - 3 W) 70V : 6 W (6 - 3 - 1.5 W)
Maximum Power	18 W
Rated Impedance	0.83 kΩ (0.83 - 1.7 - 3.3 kΩ)
Sensitivity (1W / rated at 1 m)	93 / 104 dB
Coverage Angle (1 kHz, -6 dB)	70 deg
Frequency Response	180 Hz ~ 17 kHz
Speaker Component	120 mm Dynamic Full Range Loudspeaker
Safety	Acc. to EN 60065
Material & Finish	ABS, White
Dimensions (W x H x D)	260 x 173 x 65 mm
Weight	1 kg

Frequency Response



*at 1W / 1m

SPL Polar Plot



— 1 kHz
- - - 4 kHz

Engineers' Specifications

The surface mounted wall loudspeaker shall be fitted with a 120 mm dynamic full range loudspeaker driver and capable of handling up to a maximum power of 18 W rated at 100 V line input. It shall be able to produce a minimum SPL of 93 dB at 1 W/m (1 kHz) and a useable frequency range of 180 Hz ~ 17 kHz with a coverage angle of 70 deg.. An integrated line matching transformer shall be provided with multiple tapings of 12, 6 and 3W rated at 100V line.

The enclosure shall be low profile in design, not exceeding a depth of 65 mm, and constructed from ABS, finished in White. Mounting of the unit shall be free from visible front mounting screws. The dimensions of the unit shall not exceed 260 x 173 x 65 mm (WxHxD) and weight not exceeding 1 kg.

