

The WM 561 Surface Mounted Wall Loudspeakers are designed to provide a public address system solution for a wide range of applications. The unit is ideally installed in areas without a false ceiling such as in stairwells and rooms with concrete ceiling.

Utilising a 120 mm dual cone full range loudspeaker driver as the core of the unit, the WM 561 provides excellent speech and music reproduction even under high ambient noise conditions. The loudspeaker driver is enclosed in a robust ABS enclosure in pure white (WM 561W) or black (WM 561B). While being durable, the enclosure has also been designed to enhance the sound dispersion of the loudspeaker driver.

Each loudspeaker unit is installed with a multiple tapping line-matching transformer, suitable for 70 V or 100 V line distributed speaker system. The loudspeaker is mounted to the wall using two screws, either at the back or on the front without any compromise to its aesthetics.

- 120 mm dual cone full range loudspeaker driver unit, providing clear undistorted sound quality.
- Simple installation with a choice of rear screw mounting option to eliminate front visible screws or front screw mounting.
- Built-in audio line matching transformer with multiple impedance choice of 10 k Ω , 5 k Ω , 2.5 k Ω and 1.7 k Ω , suitable for both 70 V and 100 V line distributed speaker system.
- Aesthetically designed and injection moulded in pure white (WM 561W) / black (WM 561B) ABS resin enables the enclosure to blend into most surroundings.

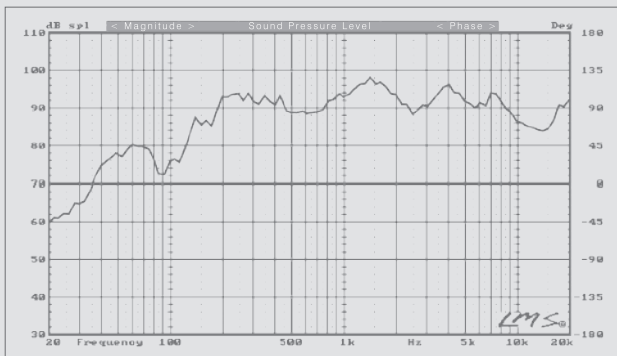
**WM 561W****WM 561B**



Technical Specifications

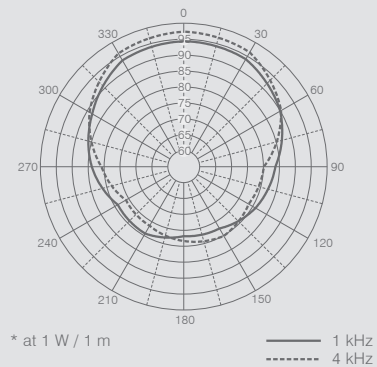
	WM 561W	WM 561B
Rated Input	100 V : 6 W (6 - 3 - 1.5 W) 70 V : 3 W (3 - 1.5 - 0.75 W)	100 V : 6 W (6 - 3 - 1.5 W) 70 V : 3 W (3 - 1.5 - 0.75 W)
Maximum Power	9 W	9 W
Rated Impedance	1.7k Ω (1.7 - 3.3 - 6.7 k Ω)	1.7k Ω (1.7 - 3.3 - 6.7 k Ω)
Sensitivity (1 W / rated at 1m)	93 / 101 dB	93 / 101 dB
Coverage Angle (1 kHz, -6 dB)	106 deg.	106 deg.
Frequency Response	120 Hz ~ 20 kHz	120 Hz ~ 20 kHz
Speaker Component	120 mm Dual cone Full Range Loudspeaker	120 mm Dual cone Full Range Loudspeaker
Safety	Acc. to EN 60065	Acc. to EN 60065
Material & Finish	Pure white, (RAL 9010)	Black, (RAL 9017)
Dimensions (W x H x D)	193 x 184 x 84 mm	193 x 184 x 84 mm
Weight	1.2 kg	1.2 kg

Frequency Response



*at 1 W / 1 m

SPL Polar Plot



* at 1 W / 1 m

— 1 kHz
- - - 4 kHz

Engineers' Specifications

The surface mounted wall loudspeaker unit shall be fitted with a 120 mm dual cone full range loudspeaker driver and capable of handling up to a maximum power of 9 W rated at 100 V line input. It shall be able to produce a minimum SPL of 93 dB at 1 W / m, 1 kHz and a useable frequency range of 120 Hz ~ 20 kHz with a coverage angle of 106 deg. An integrated line matching transformer shall be provided with multiple tapings of 6, 3 and 1.5 W rated at 100 V line. The enclosure shall be injection-moulded from pure white (RAL 9010) / black (RAL 9017) ABS and shall be provided with an option to attach the unit to the wall either from the front, or at the rear to avoid visible

mounting screws. The weight of the unit shall not exceed 1.2 kg and its dimensions shall be 193 x 184 x 84 mm (W x H x D).

